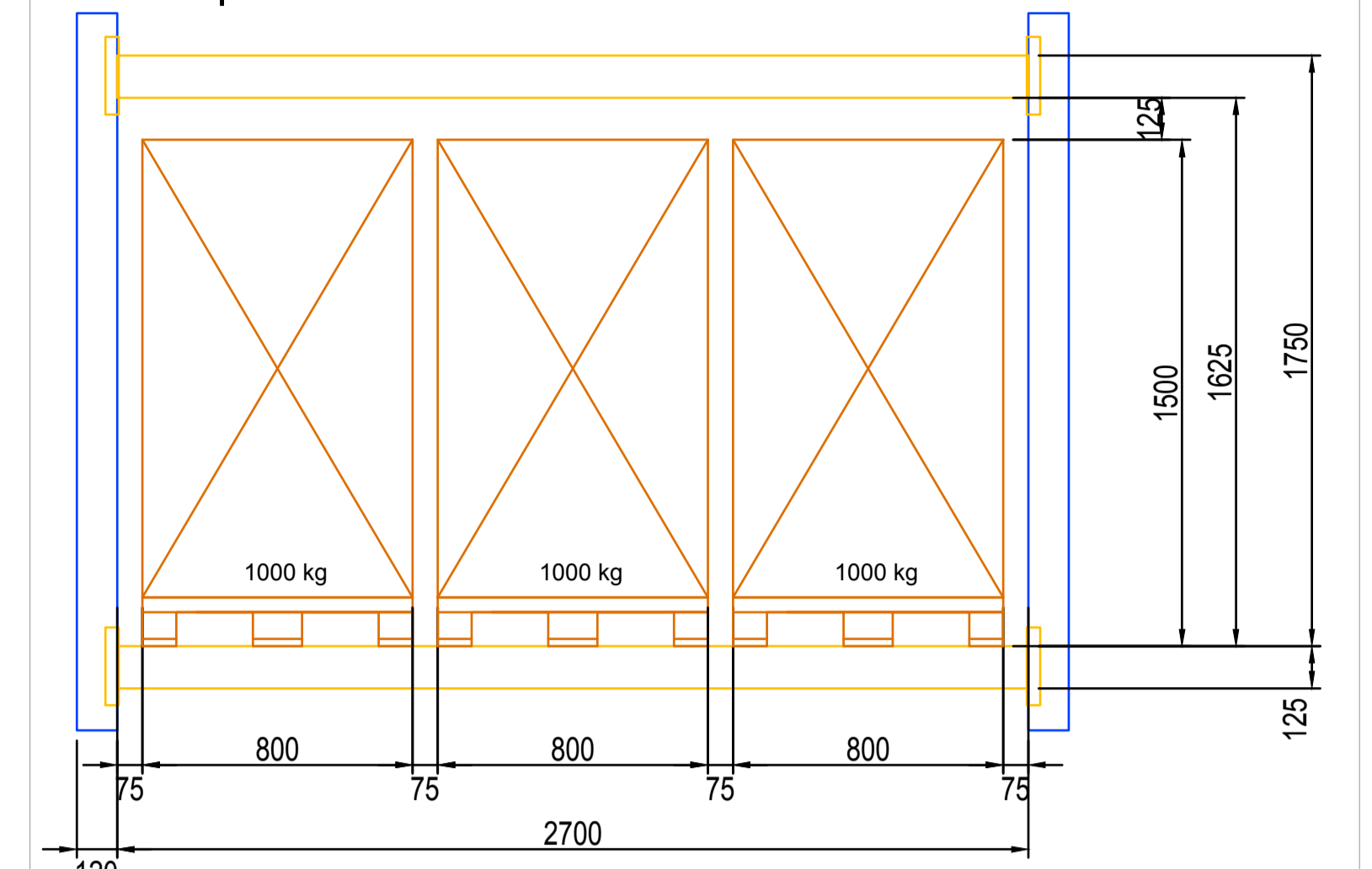
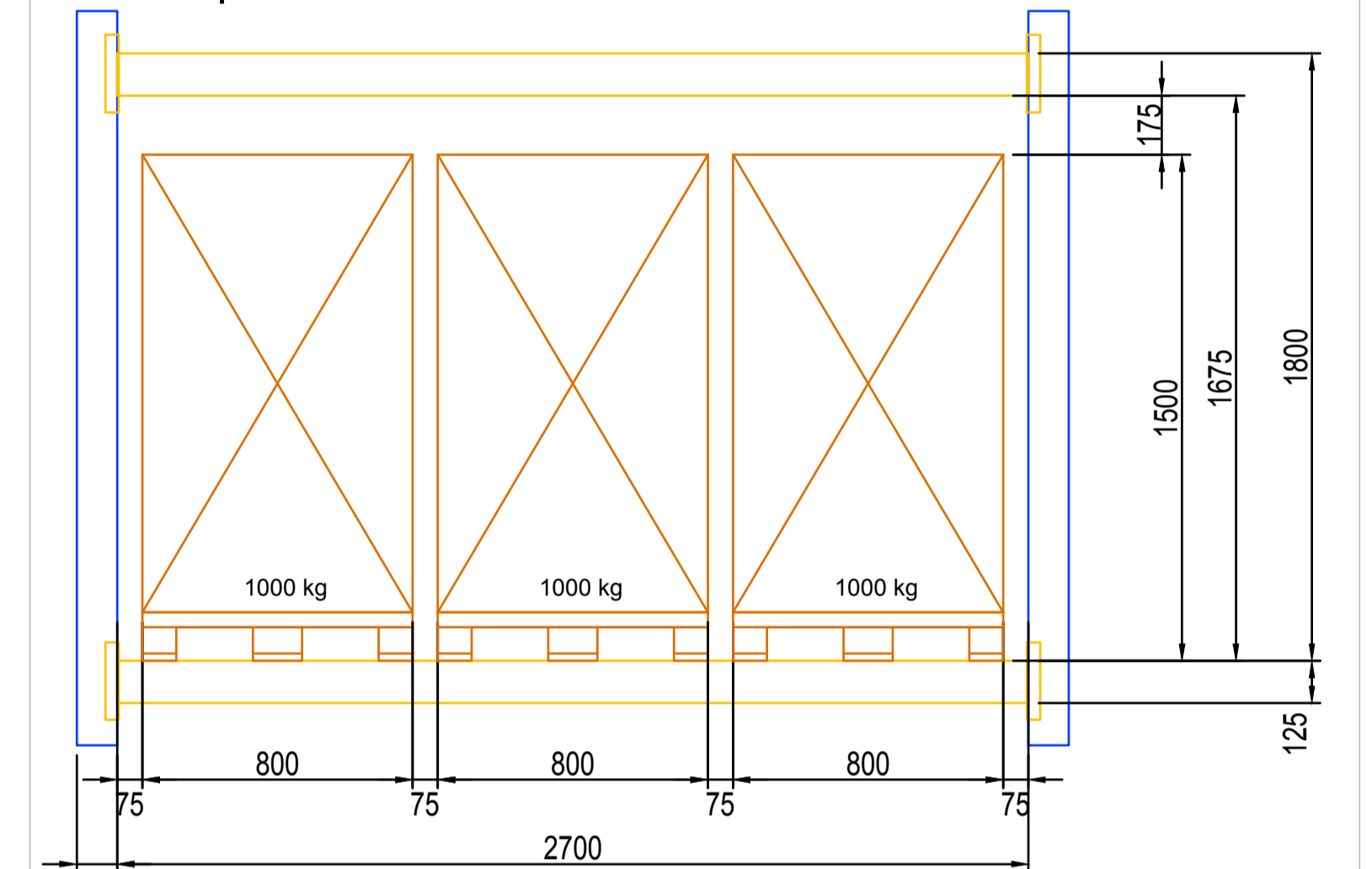


RACK SHELF DETAIL
Compartment load 3000 KG

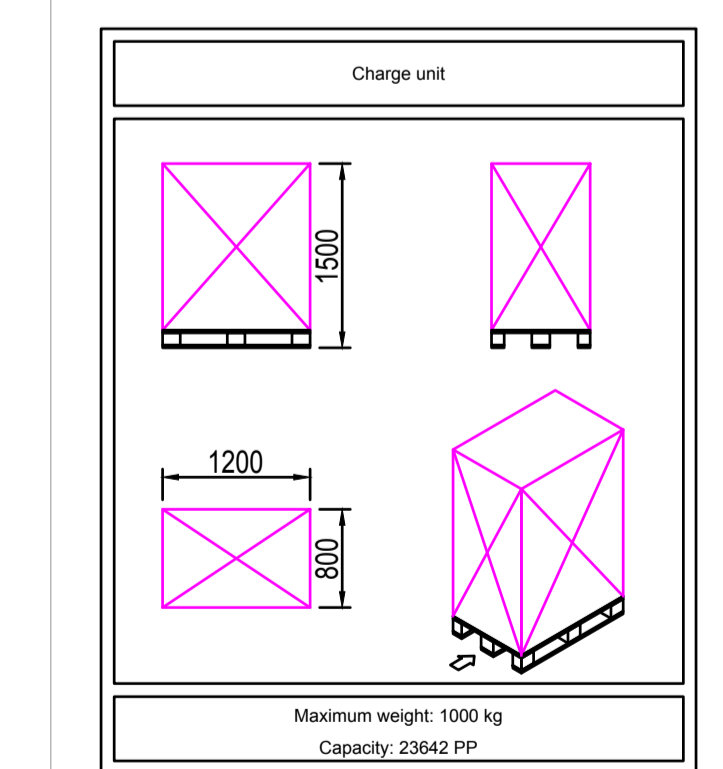
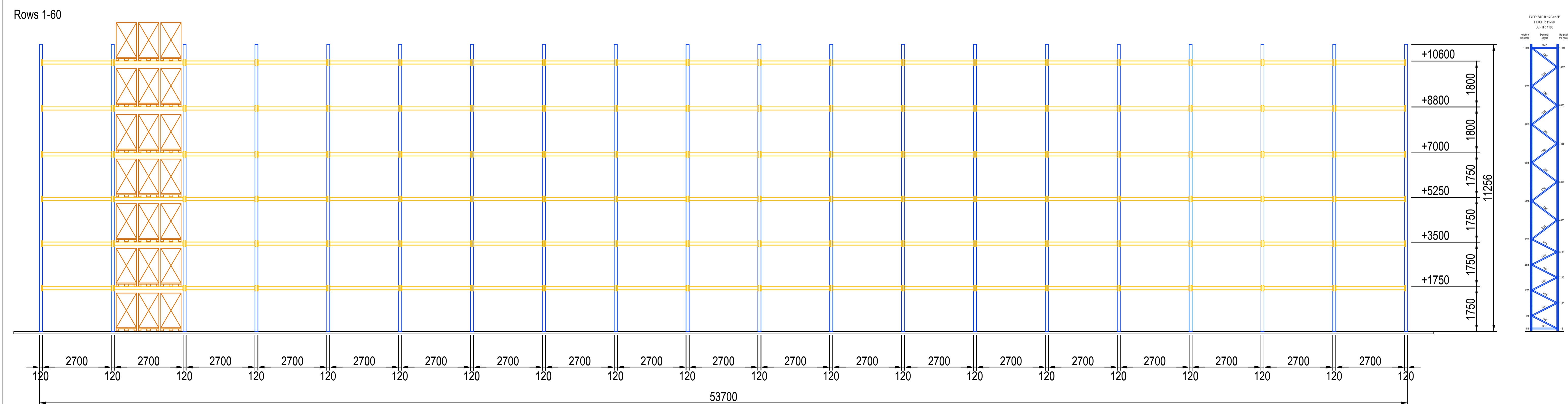
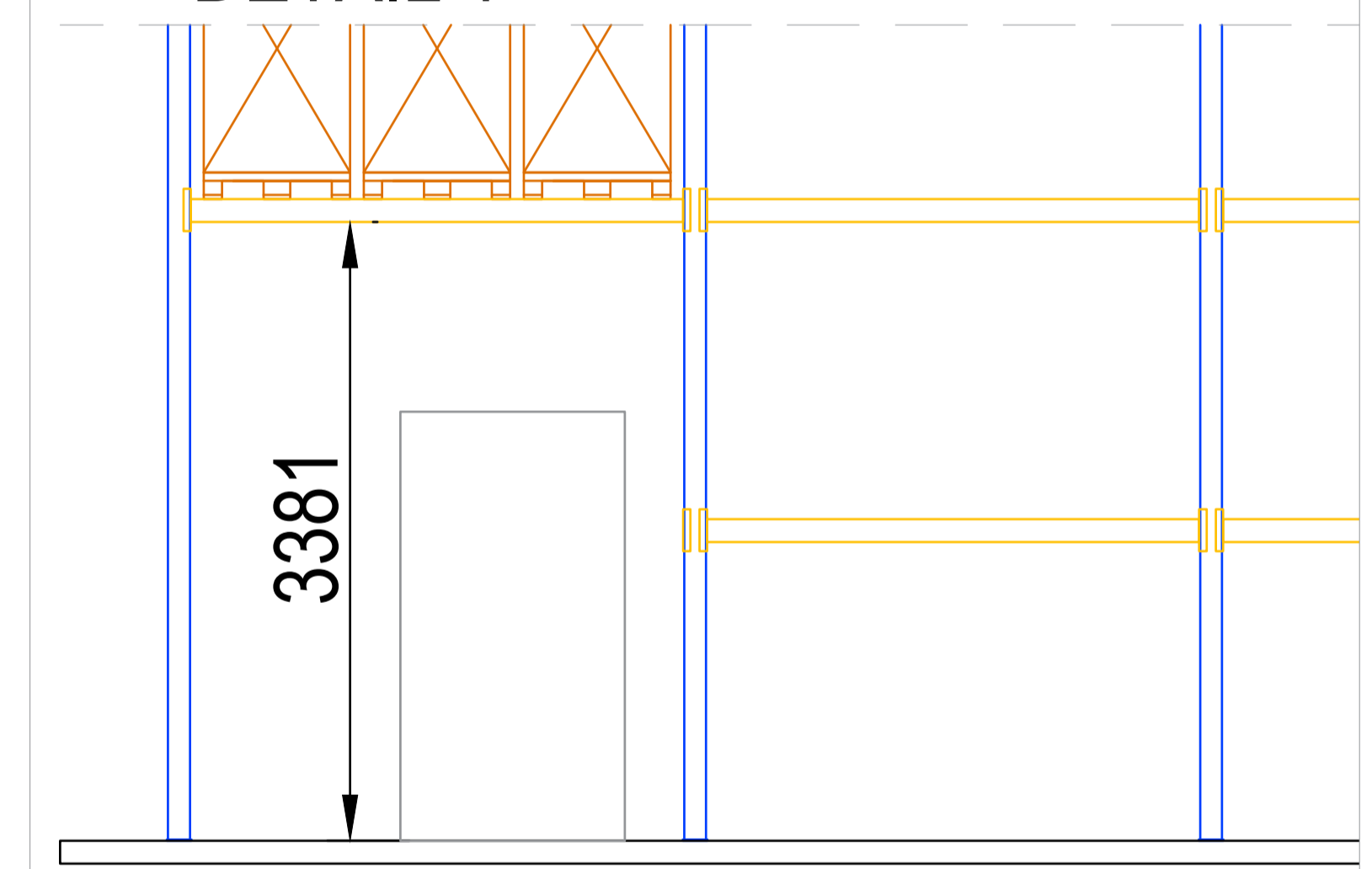


RACK SHELF DETAIL
Compartment load 3000 KG



Clearances in accordance with EN 15620 to be maintained

DETAIL 1



Specification: Stud FAZ II 12/50
Surface pressure: 49 kg/cm²
Standard applied: EN-EU-15.512
effective area of surface pressure: 188 cm²
Building approval needed!