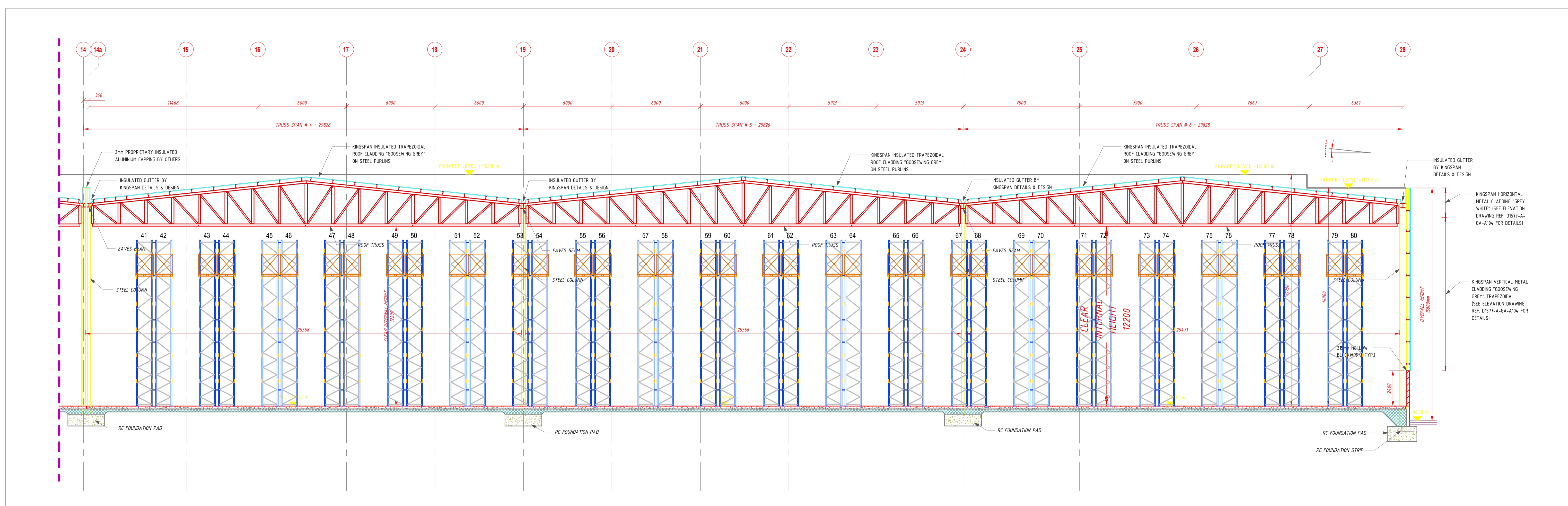
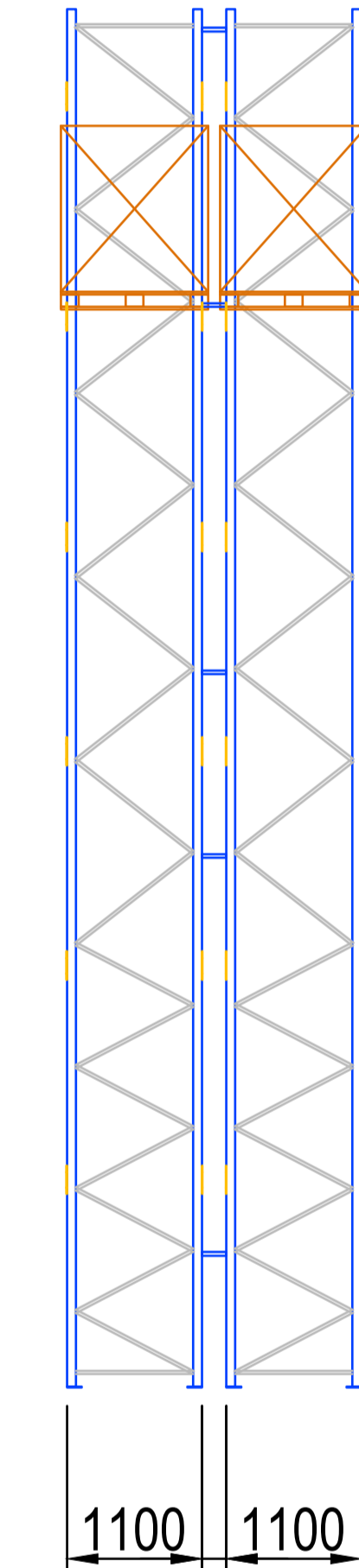
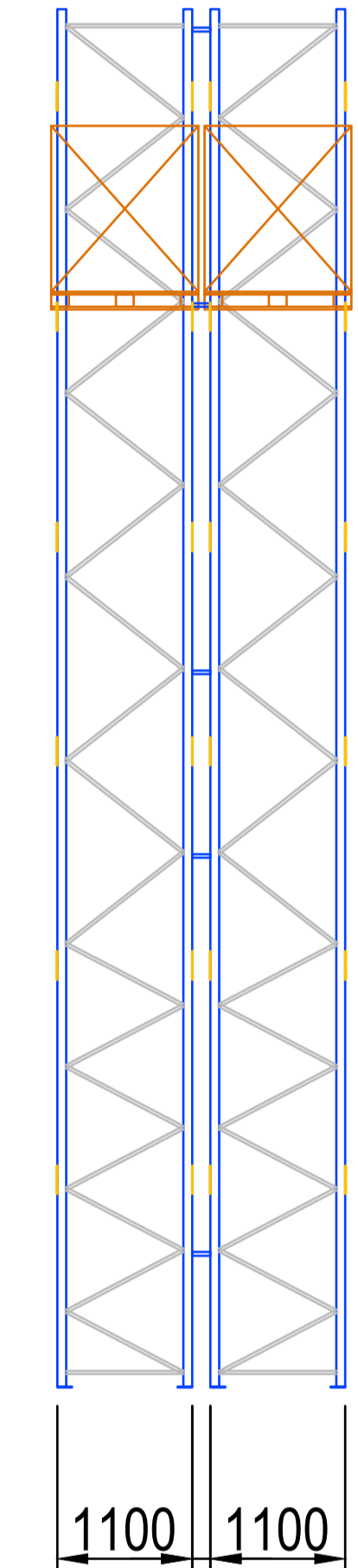


Clearances in accordance with EN 15620 to be maintained



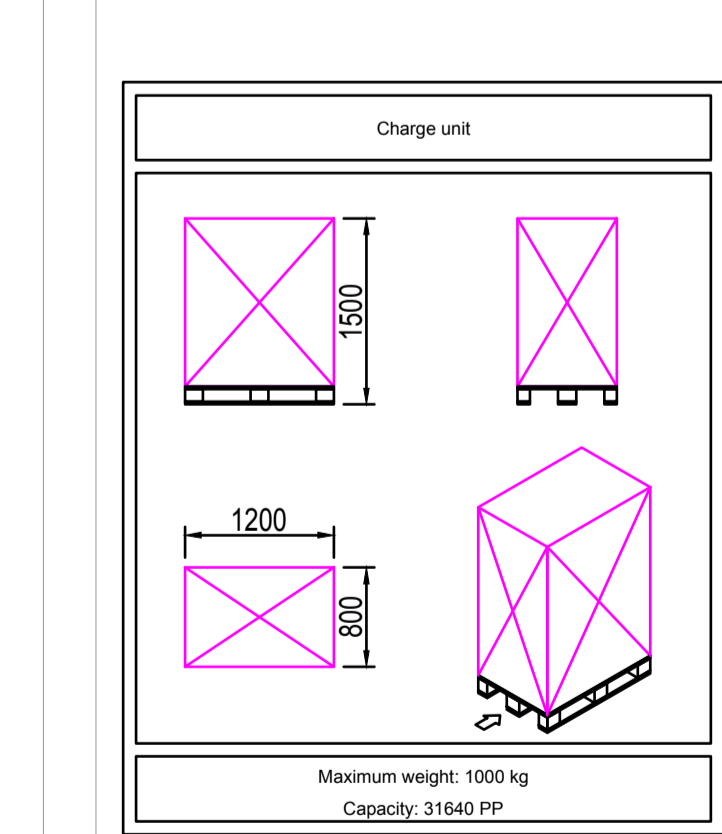
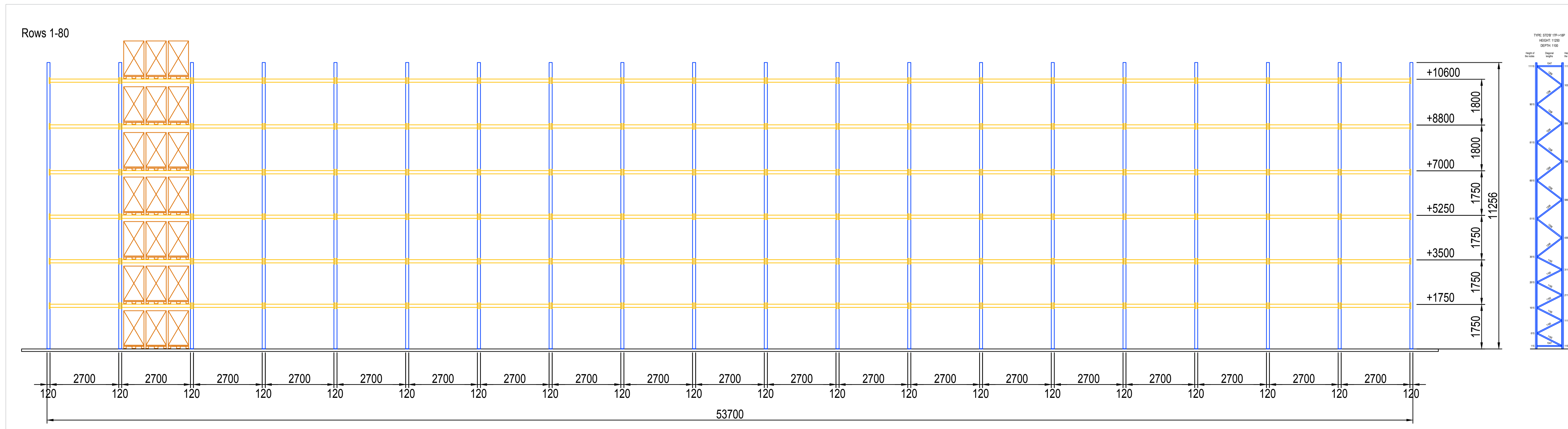
Runs 1-38

Runs 39-80



150

200



Specification: Stud FAZ II 1250

Surface pressure: 49 kg/cm²
Standard applied: EN-EU-15 512
effective area of surface pressure: 188 cm²
Building approval needed!

Non-binding quote drawing!